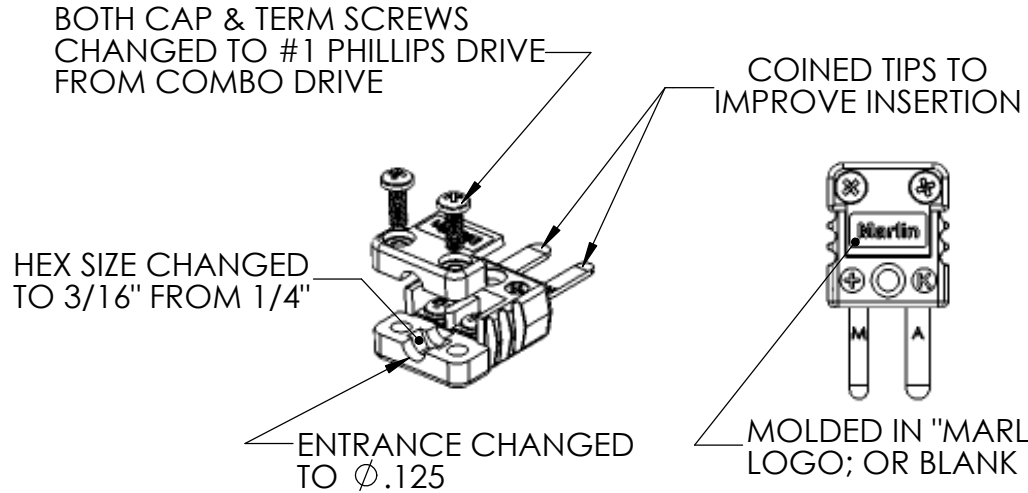


CHANGES TO MARLIN'S MINI 1260 PLUG CONNECTOR

SIZE A	DWG. NO. 1260 SERIES-1	REV -
------------------	----------------------------------	----------



1279-030
P/N 59230001-1

1279-060
P/N 59230002-1

1279-090
P/N 59230003-1

**MINI RUBBER
GROMMETS
for 3/16" HEX**

1275-125
P/N 59210700-1

1275-062
P/N 59210500-1

1275-040
P/N 59210400-1

**MINI HEX CRIMPS
3/16" HEX, for
Ø.125 ENTRANCE**

**NOTE: OTHER LOGO'S
PRINTED ON
BACK OF CONNECTOR**

UNLESS OTHERWISE SPECIFIED:

DIMENSIONS ARE IN INCHES
TOLERANCES: UNLESS NOTED
FRACTIONAL ± 1/32
ANGULAR: ±30 MIN.
ONE PLACE DECIMAL ±.030
TWO PLACE DECIMAL ±.015
THREE PLACE DECIMAL ±.005
DRILL SIZE +.004 / -.001
BREAK SHARP EDGES &
REMOVE BURRS

PROPRIETARY AND CONFIDENTIAL
THE INFORMATION CONTAINED IN THIS DRAWING
IS THE SOLE PROPERTY OF MARLIN MFG. CORP.
ANY REPRODUCTION IN PART OR AS A WHOLE
WITHOUT THE WRITTEN PERMISSION OF MARLIN
MFG. CORP. IS PROHIBITED.

	NAME	DATE
DRAWN	RDC	10/08/18
CHECKED	-	-

MARLIN MFG. CORP.
CLEVELAND, OHIO
44130

SEARCH: -

TITLE:
**MINI 1260 PLUG
CHANGES-1**

SIZE A	DWG. NO. 1260 SERIES-1	REV -
------------------	----------------------------------	----------

SCALE: 1:1 WEIGHT: SHEET 1 OF 1

REV.	DESCRIPTION	DATE	BY
REVISIONS			
DO NOT SCALE DRAWING	SUPERCEDES -	FOR -	

MATERIAL	-
FINISH	-